

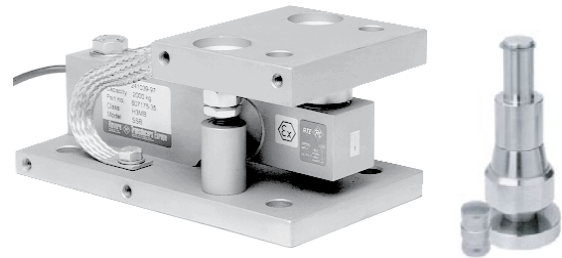
SSB Self-Aligning Accessories

FEATURES

- Capacities: 500–5000 kg
- Hardened components at all bearing surfaces
- Rocker pin load introduction
- Stainless steel or nickel plated steel versions available
- Built-in horizontal movement control and lift-off protection
- Load cell (re)placement after installation of the mount
- **Optional**
 - Stay rod assembly
 - Suitable also for SBC load cells

APPLICATIONS

- Process control
- Batch weighing
- Silo/hopper weighing
- Belt scale weighing



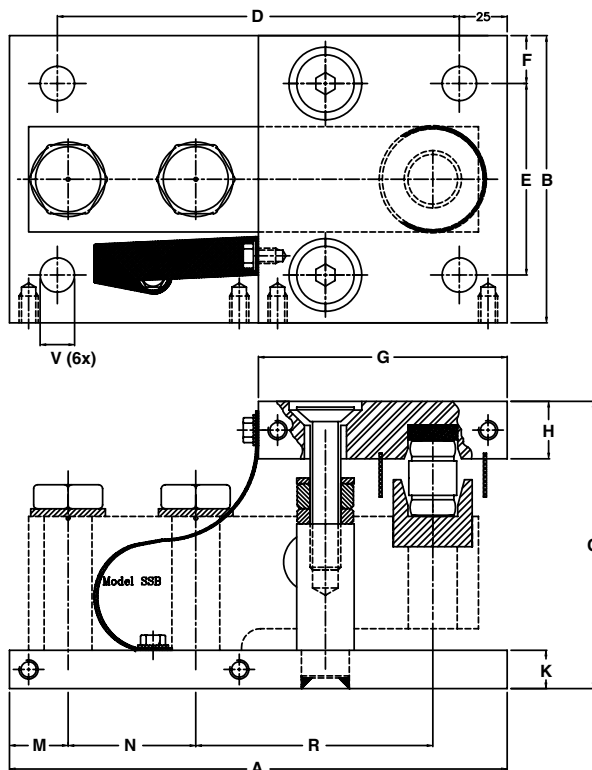
DESCRIPTION

The SSB self aligning silo mount, combined with the SSB load cell family, provides weighing assemblies suitable for process control, batch weighing, silo/hopper, and belt scale applications.

The SSB foot assembly is an ideal solution for medium capacity belt, pallet and platform scales.

The SSB mount and foot are based on a rocker pin design, combining excellent load introduction to the transducer with an overall low profile. Hardened components are used at all load bearing surfaces. The stainless steel construction guarantees long-term reliability, even in the harshest environments.

OUTLINE DIMENSIONS in mm



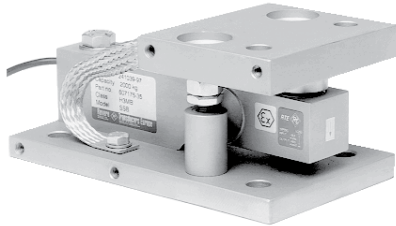
CAPACITY	0.5–2T	5T
A	210	250
B	120	150
C	95	135
D	160	200
E	80	100
F	20	25
G	100	120
H	20	20
K	15	20
M	21.9	30.6
N	63.5	66.7
R	98.4	123.8
V	Ø14	Ø18

SSB Self-Aligning Accessories

ACCESSORIES

Self-Aligning Mount

The SSB mount permits controlled horizontal movement in all directions. The design allows the load cell to be (re)placed after installation of the mount. The critical load introduction area is mechanically protected.



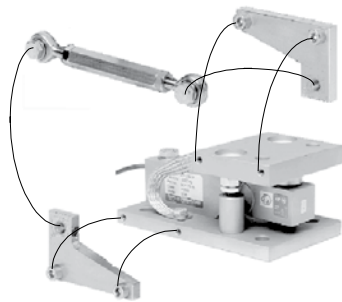
Non-Adjustable Foot

The non-adjustable foot carries the same specification and features as the height adjustable version, while providing an even lower overall profile.



Stay Rod Assembly

If major load movement is anticipated stay rods should be used to restrain a platform or vessel. The SSB stay rod assembly can be bolted to the mount prior to, or after its installation.



Height Adjustable Foot

The stainless steel foot, which has 5 mm of height adjustment, provides excellent load introduction to the load cell. The foot allows flexibility in platform design without compromising overall system performance.



ADDITIONAL INFORMATION

MOUNT	0.5/2T	5T
Self-aligning mount		
Assembly + SSB (mm)	95	135
Assembly guideline	AG 10/06-108/2	
Outline drawing—stainless steel	499046-10	499047-10
Outline drawing—nickel-plated	499046-00	499047-00
Stay rod assembly		
Outline drawing—stainless steel	499063-10	499064-10
Outline drawing—nickel-plated	499063-00	499064-00
Assembly guideline	AG 09/06-201/02	
Height Adjustable Foot		
Assembly + CSP-M	80+5	141+7
Assembly guideline	AG 12/06-102/02	
Outline drawing—stainless steel	499079	499080
Non-Adjustable Foot		
Assembly + CSP-M	75	117
Outline drawing—stainless steel	499077	499078